

UTILITY LIFT ANCHOR

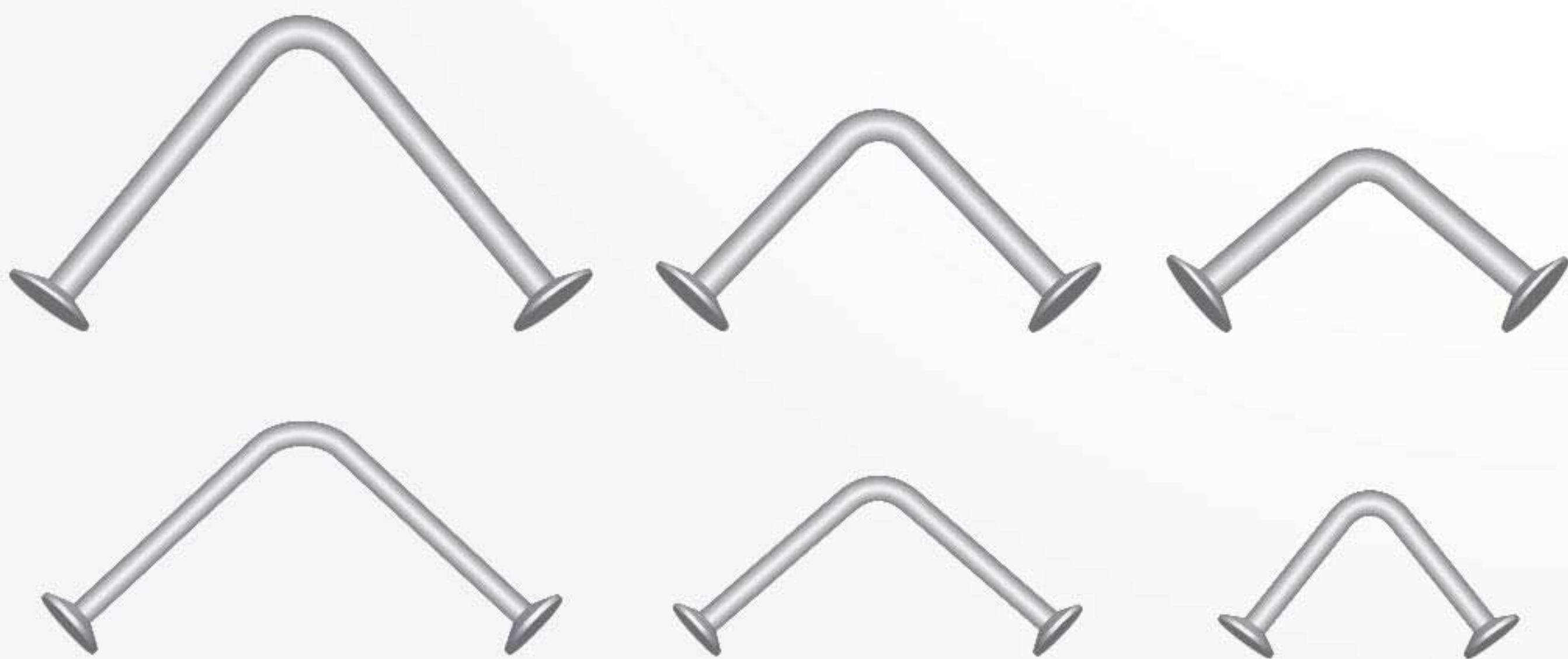
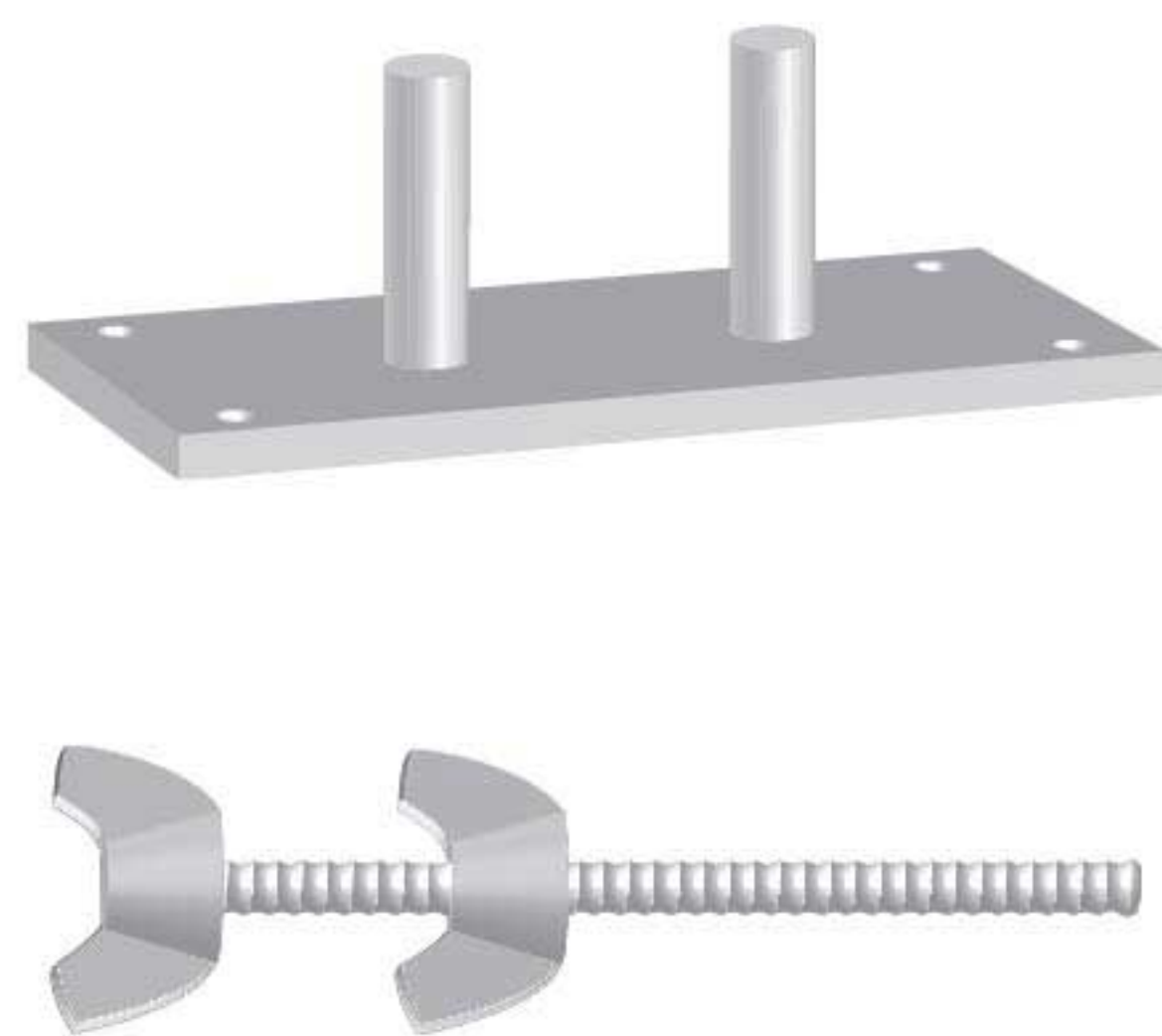
LIFTING SYSTEM

UTILITY LIFT ANCHORS RECESS MEMBERS MOUNTING HARDWARE

- No Additional Lifting Device Needed
- Capacities from 3,500 lbs to 20,000 lbs
- Economical and Versatile System

14MM & 18MM

DIAMETERS

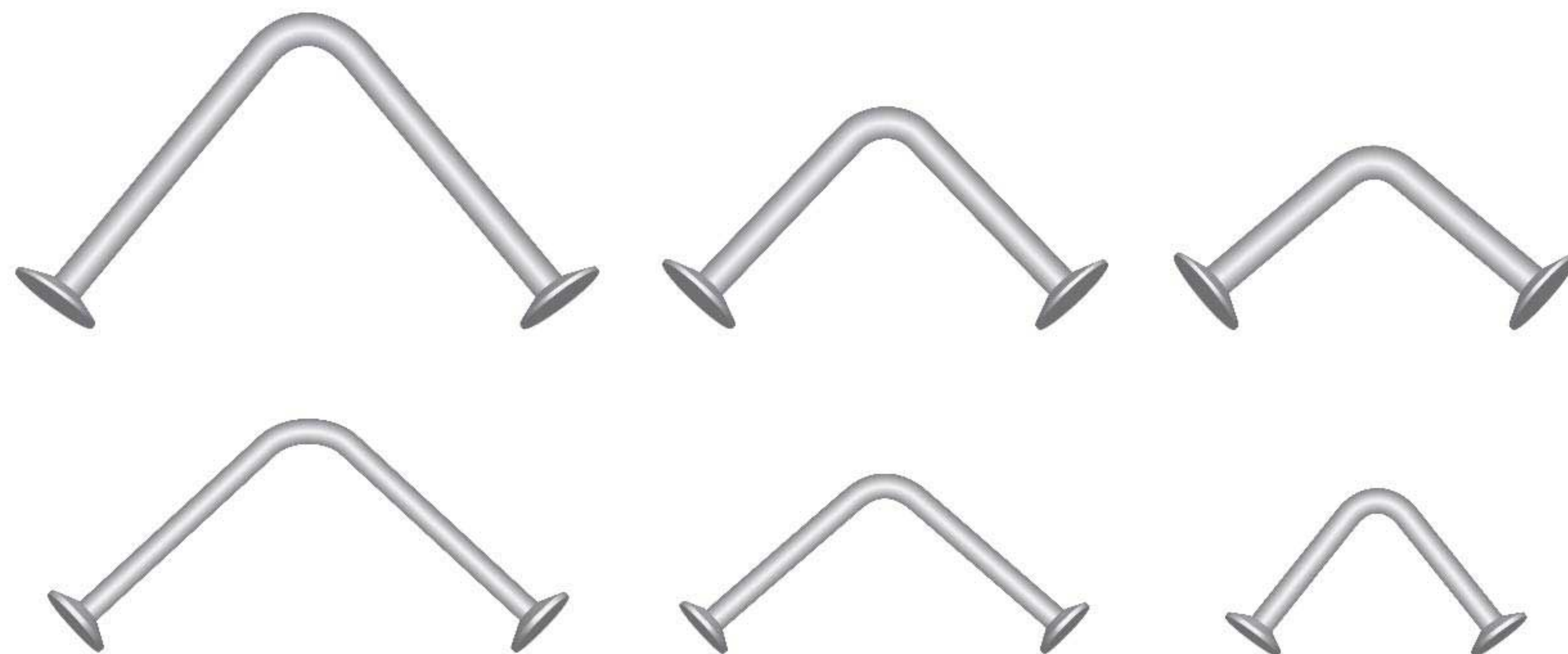


(800) 332-7090
www.patterson-online.com

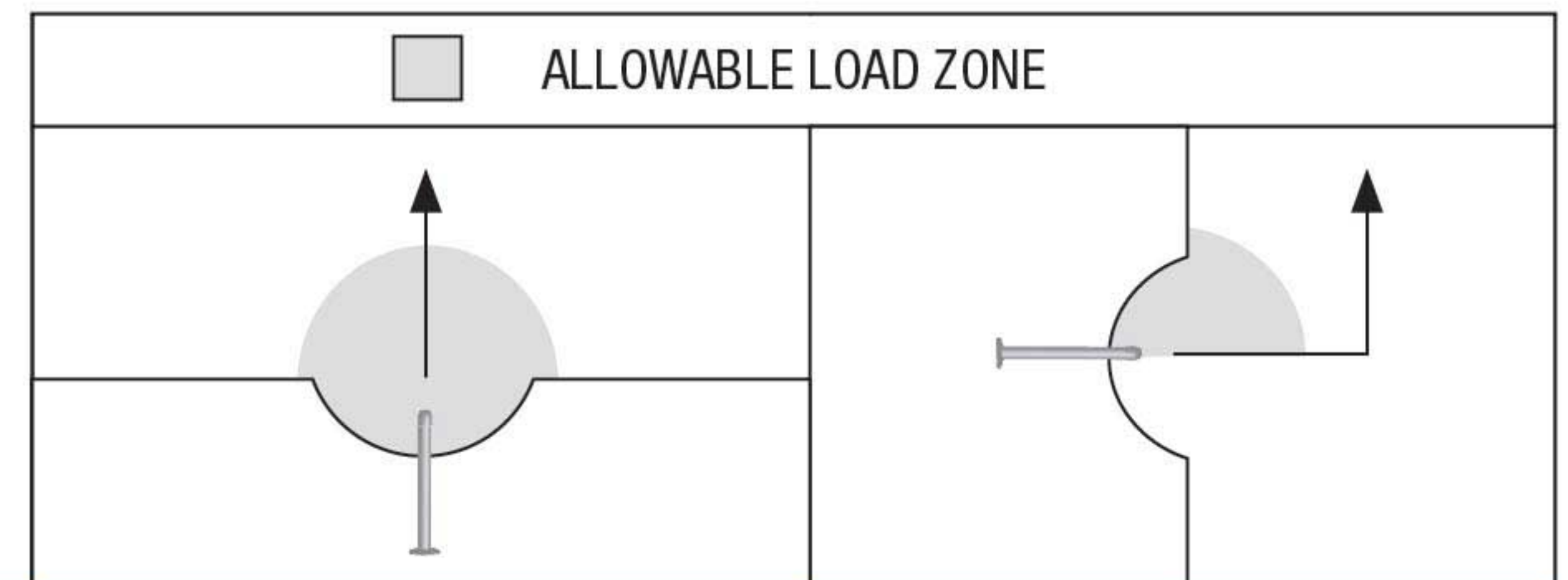


PATTERSON
Your Single Source Supplier

UTILITY LIFT ANCHORS



Anchors available in two wire diameters: **14MM 18MM**
Standard Finish is Hot-Dip Galvanized



ANCHOR CAPACITIES

| Product Code | Edge Distance | Slab Min. Thickness | SWL at 90° Tension 4:1 SF (lbs) | SWL at 90° Shear 4:1 FS (lbs) |
|--------------|---------------|---------------------|---------------------------------|-------------------------------|
| LUL414G | 9" | 4" | 3,500 | 5,400 |
| LUL514G | 10" | 5" | 5,500 | 8,500 |
| LUL518G | 10" | 5" | 6,000 | 9,300 |
| LUL614G | 12-1/2" | 6" | 6,500 | 10,100 |
| LUL618G | 12-1/2" | 6" | 7,500 | 11,600 |
| LUL818G | 15-1/2" | 8" | 13,000 | 20,000 |

TECHNICAL SPECIFICATIONS

| Utility-Lift Anchor | Product Code | Anchor Identification | Typical Slab Thickness | WD - Wire Diameter | W - Width | H - Height | FD - Foot Diameter |
|---------------------|--------------|-----------------------|------------------------|--------------------|-----------|------------|--------------------|
| | LUL414G | 4/14 | 4" | 14MM | 6-5/8" | 3-1/8" | 1-3/16" |
| | LUL514G | 5/14 | 5" | 14MM | 8-1/4" | 3-3/4" | 1-3/16" |
| | LUL518G | 5/18 | 5" | 18MM | 8-5/8" | 3-3/4" | 2" |
| | LUL614G | 6/14 | 6" | 14MM | 10-1/2" | 4-3/4" | 1-9/16" |
| | LUL618G | 6/18 | 6" | 18MM | 9-1/16" | 4-3/4" | 2" |
| | LUL818G | 8/18 | 8" | 18MM | 12-1/4" | 6-3/4" | 2" |

Note: Safe Working Load provides a factor of safety of approximately 4:1. Table is based on a minimum concrete compressive strength of 4,000 psi. When using as a Pulling Iron, loads from this chart may be increased by 33% from a 4:1 safety factor to a 3:1 safety factor.

FOOT MARKINGS

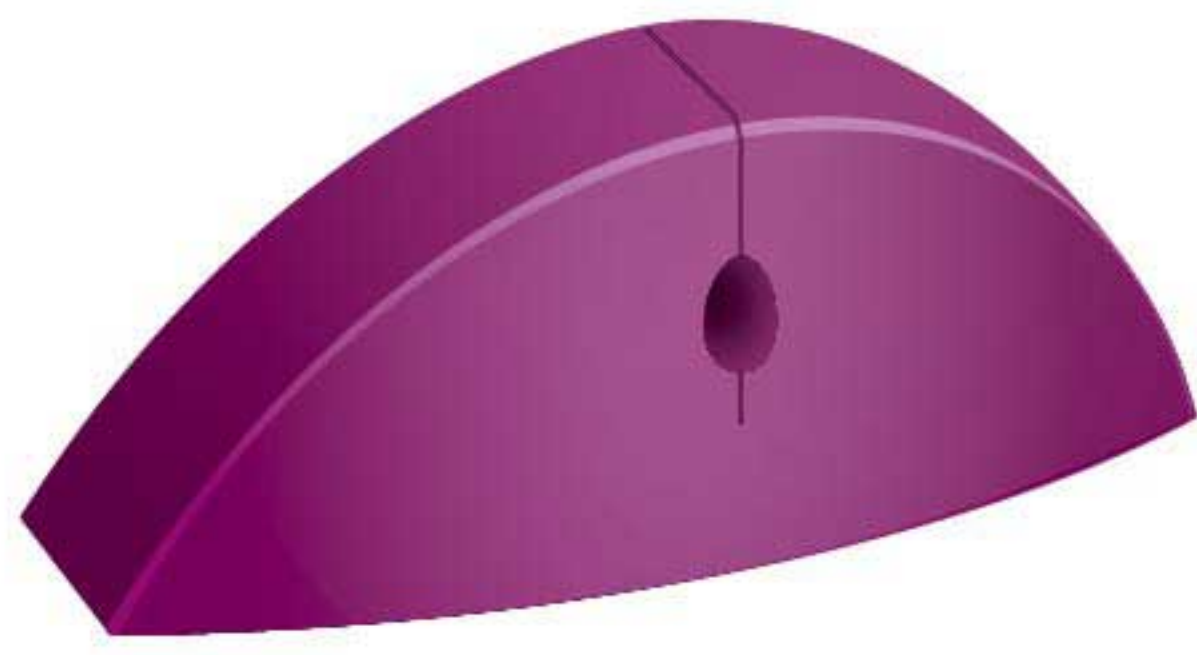


Anchor Identification



Lot Number

RECESS MEMBERS



- Flexible Material
- Long-Lasting & Reusable
- High Durability

URETHANE RECESS MEMBER DIMENSIONS

| Patterson Recess Member | Anchor Angle | Product Code | WD - Wire Diameter | L Length | H Height | W Width | Color |
|-------------------------|--------------|--------------|--------------------|----------|----------|---------|--------|
| | 90° | TKURM149 | 14mm | 9" | 3-1/2" | 3" | Purple |
| | 90° | TKURM679 | 18mm | 9" | 3-1/2" | 3" | Purple |

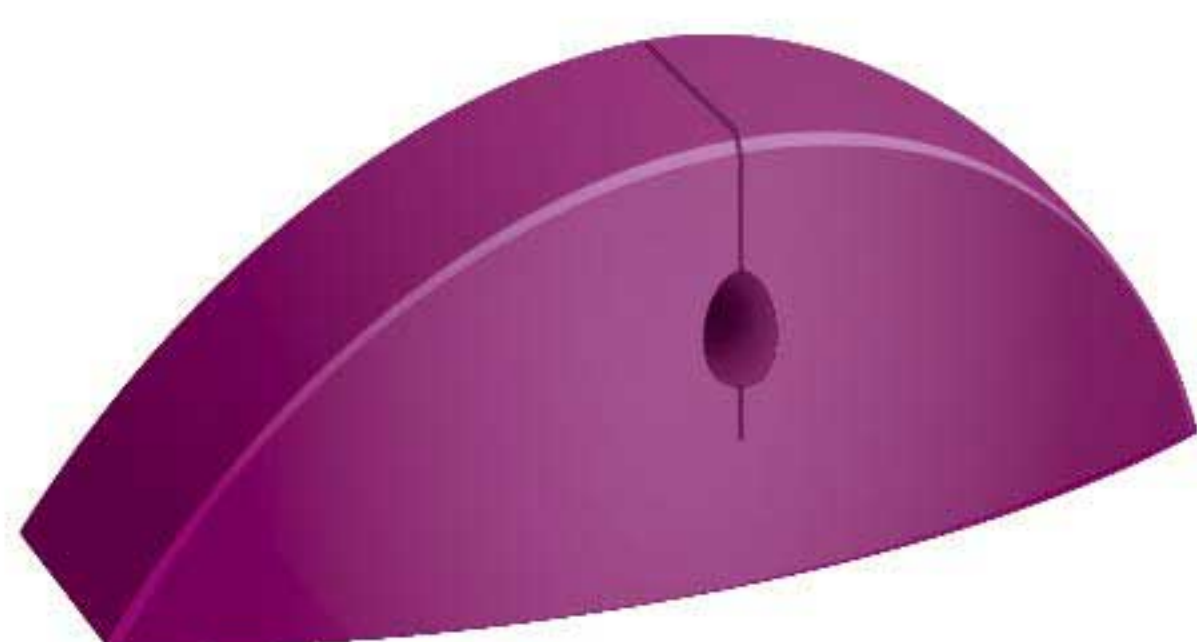
Note: Urethane can handle temperatures up to 180 degrees. Using a petroleum based form release will drastically shorten the life of a urethane recess member.



- Flexible Material
- Reusable
- Economical

RUBBER RECESS MEMBER DIMENSIONS

| Patterson Recess Member | Anchor Angle | Product Code | WD - Wire Diameter | L Length | H Height | W Width | Color |
|-------------------------|--------------|--------------|--------------------|----------|----------|---------|-------|
| | 90° | LURM671 | 18mm | 9-3/4" | 3-1/2" | 3" | Black |

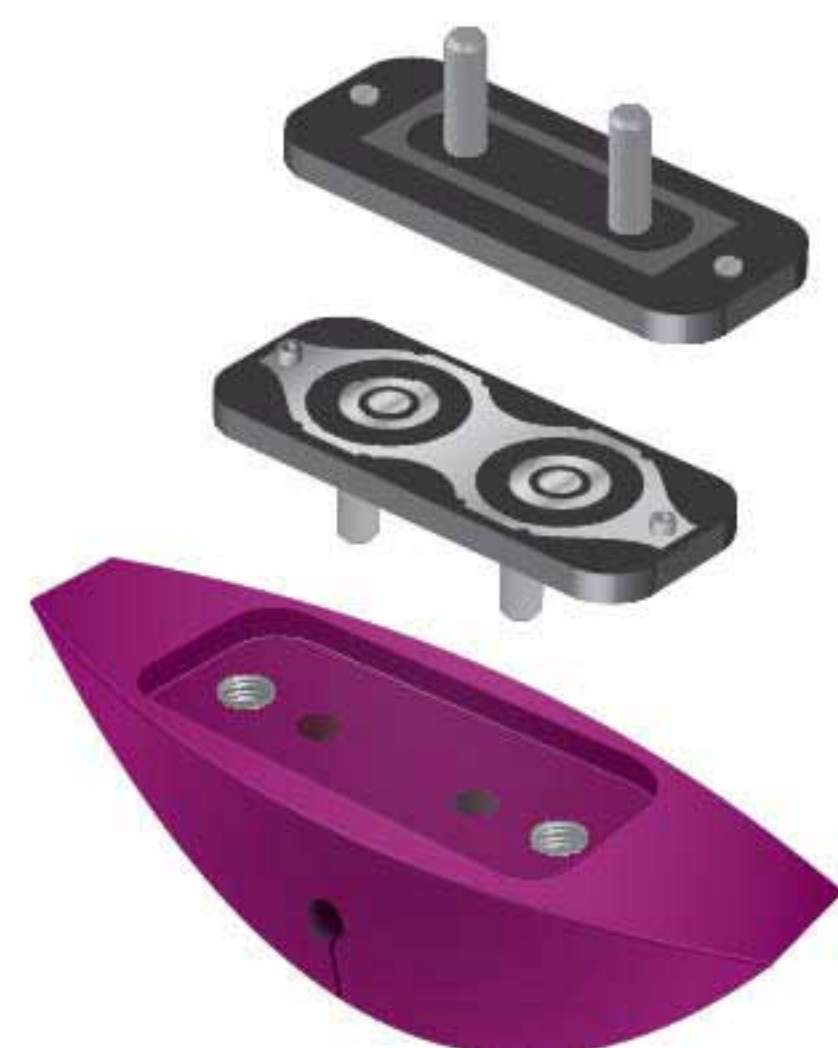


- Embedded Magnet in Bottom
- Flexible Material
- Long-Lasting & Reusable
- High Durability

URETHANE MAGNETIC RECESS MEMBER (1-PIECE)

| Patterson Recess Member | Anchor Angle | Product Code | WD - Wire Diameter | L Length | H Height | W Width | Color |
|-------------------------|--------------|--------------|--------------------|----------|----------|---------|--------|
| | 90° | TKUMR679 | 18mm | 9" | 3-1/2" | 3" | Purple |

Note: Urethane can handle temperatures up to 180 degrees. Using a petroleum based form release will drastically shorten the life of a urethane recess member.



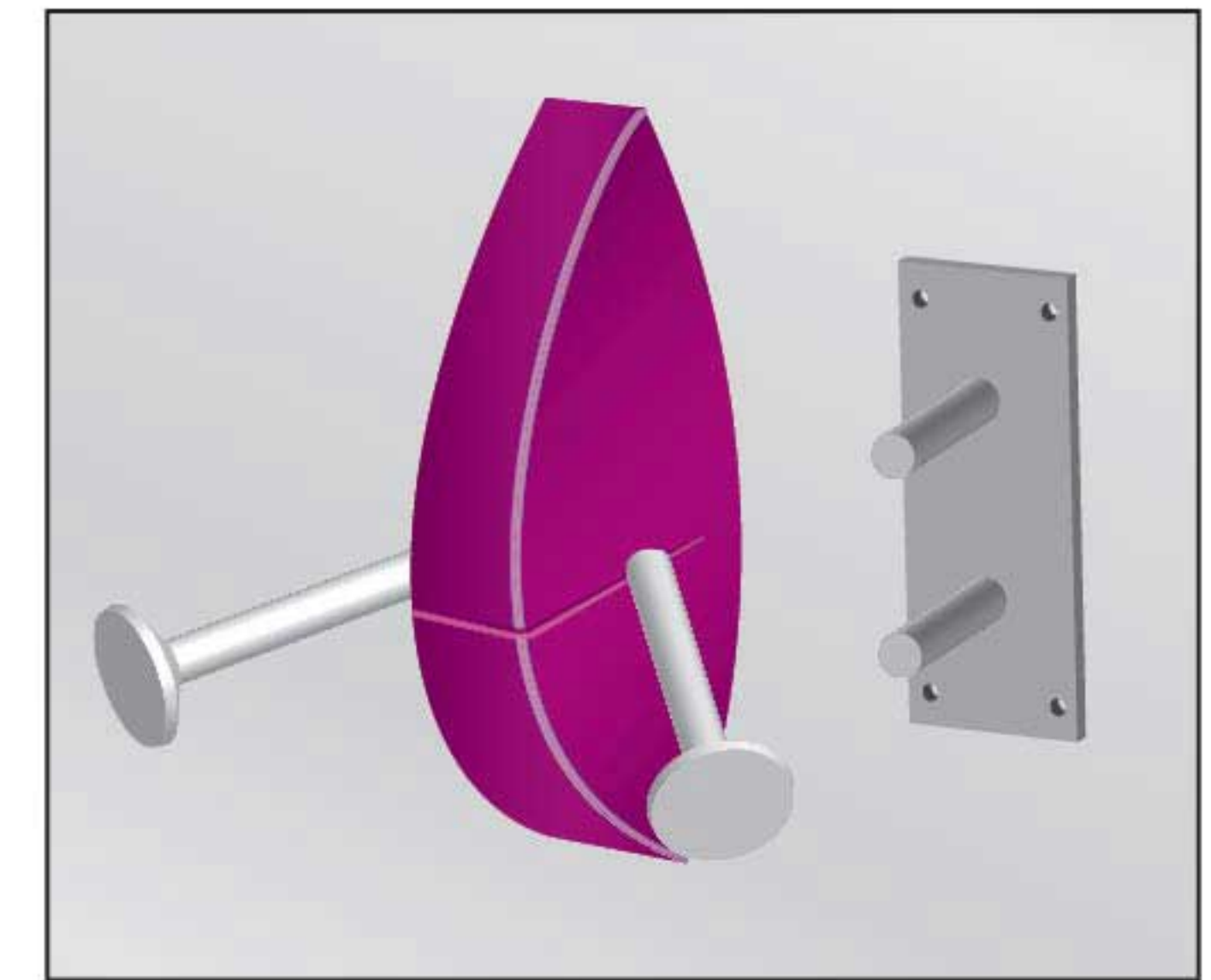
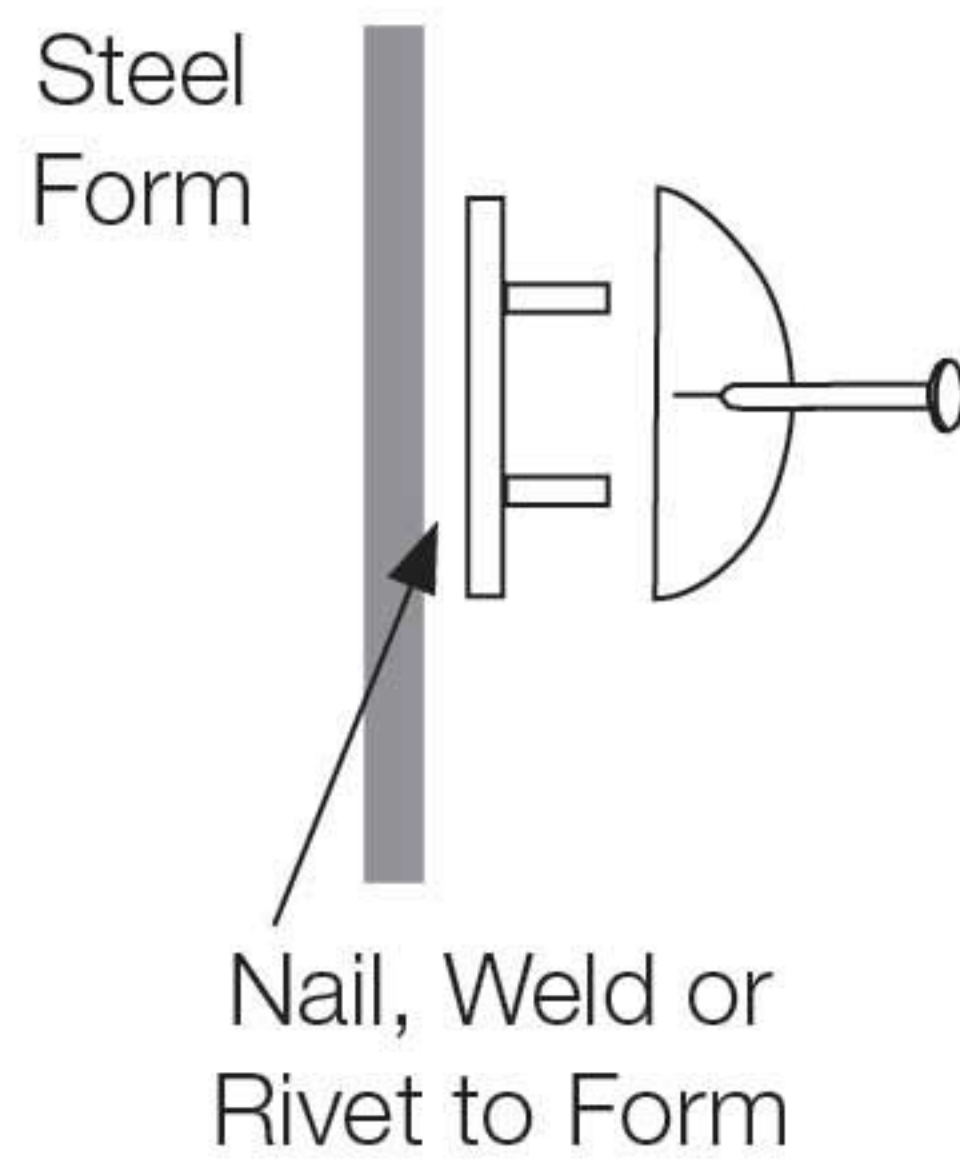
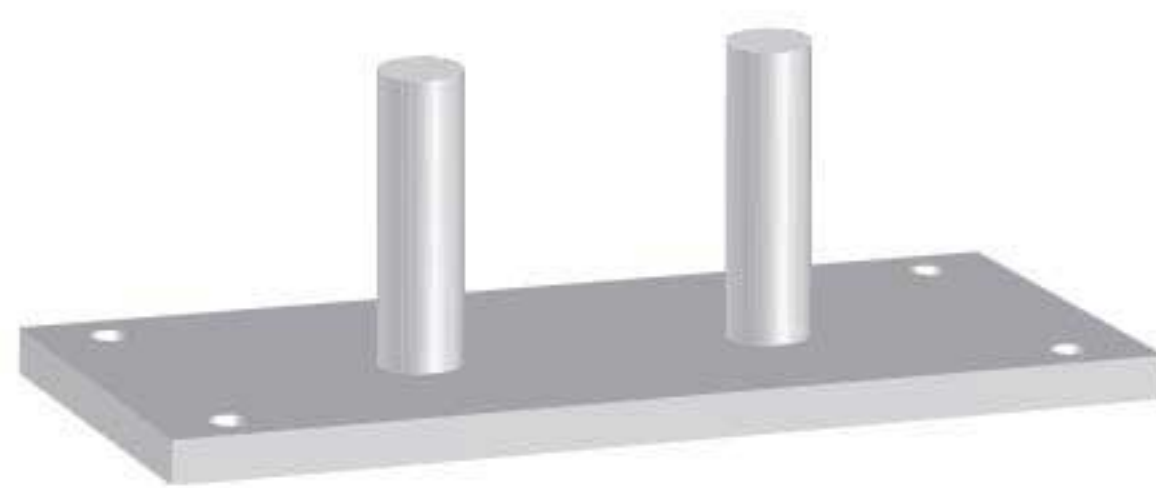
LIFT PIN MAGNETIC HOLDING PLATE (2-PIECE)

Powerful magnets designed for quick and efficient mounting and holding of recess members to steel forms, to eliminate the need for drilling holes in the form. Recess member and magnet sold separately.

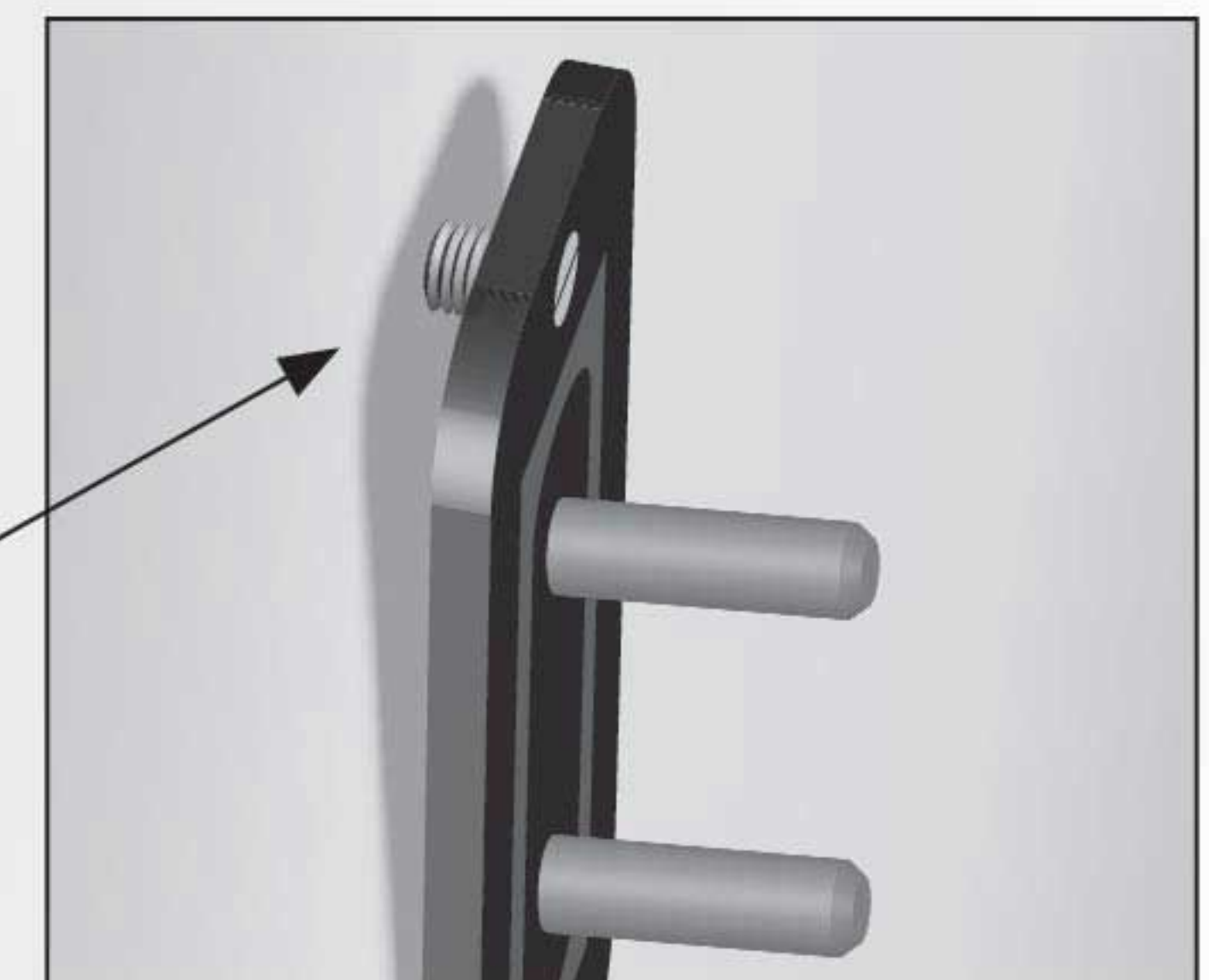
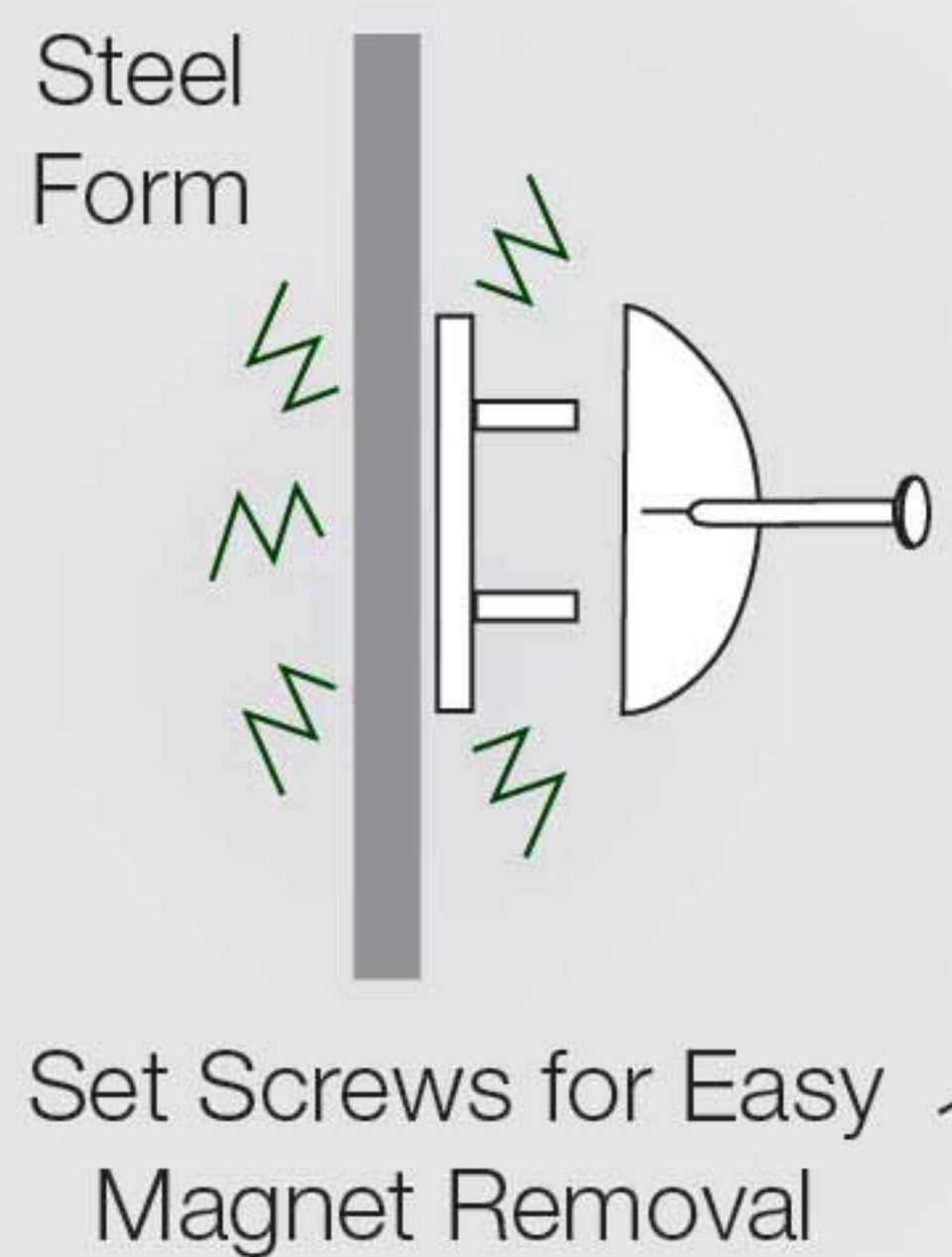
Product Code - TKURIMP679

RECESS MEMBERS

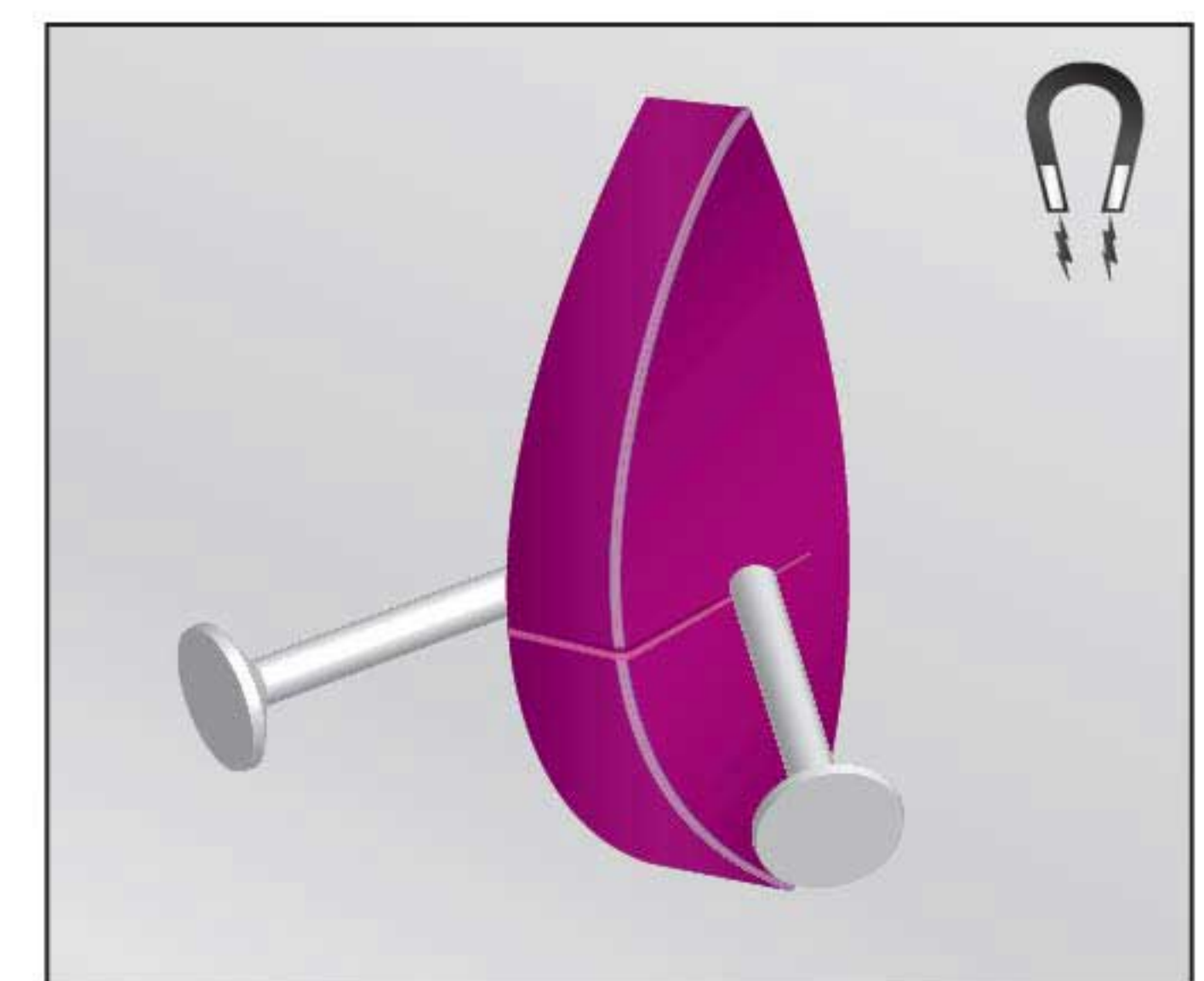
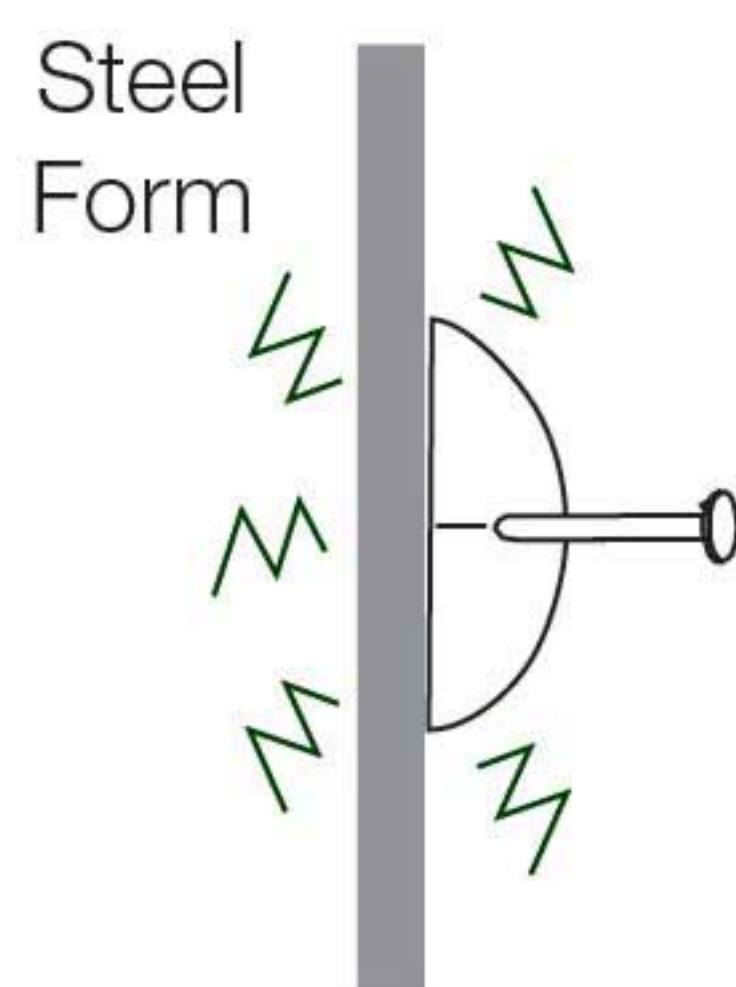
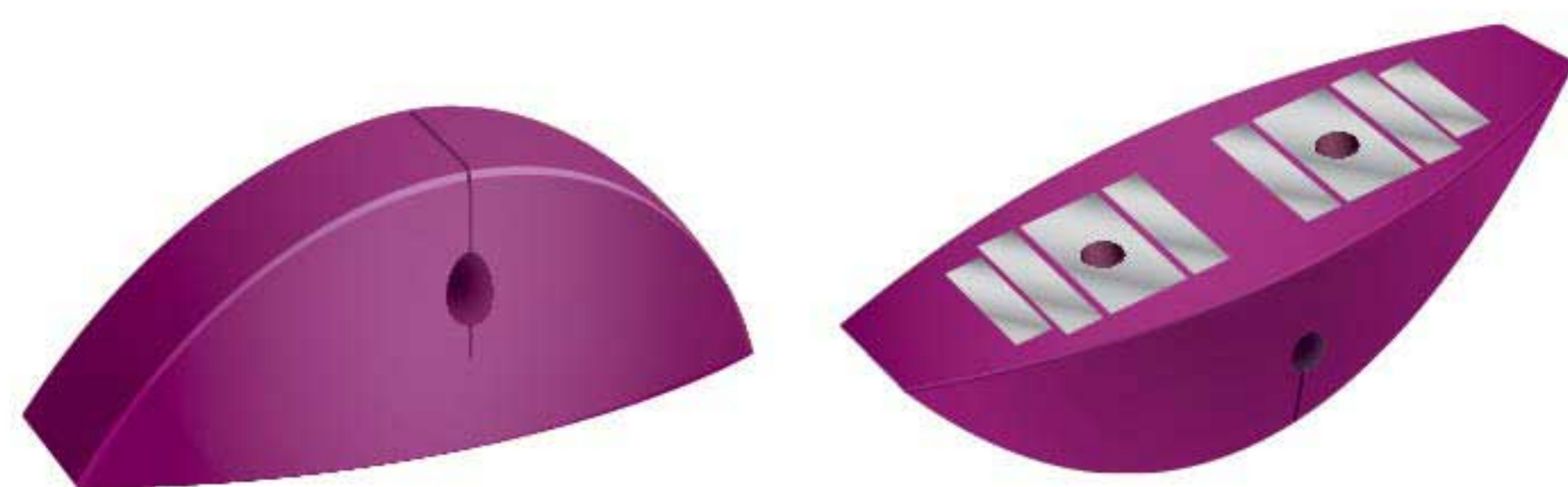
REUSABLE HOLDING PLATES



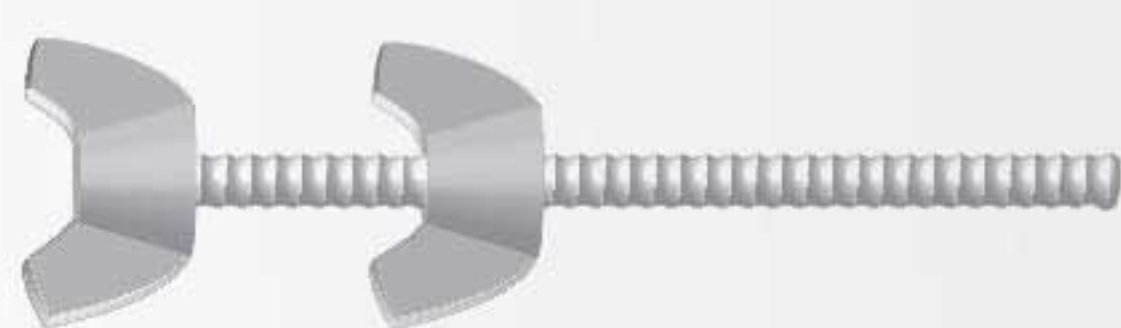
MAGNETIC HOLDING PLATES



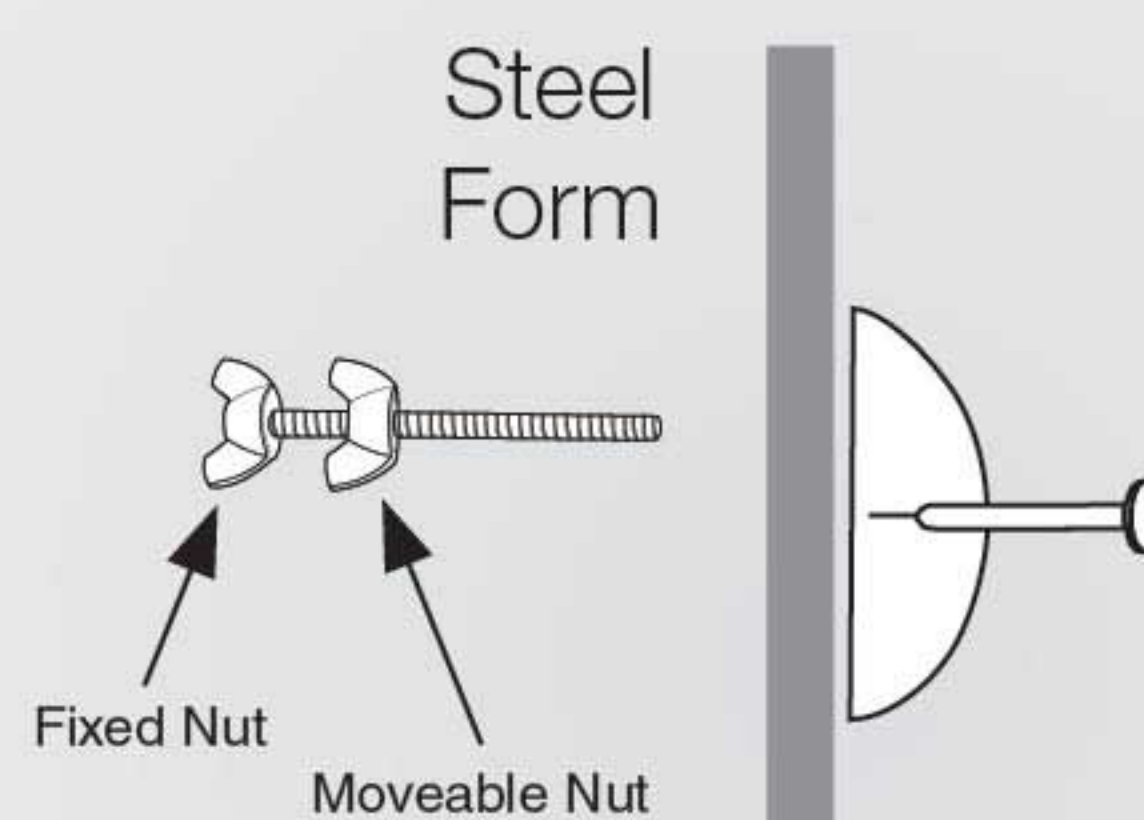
MAGNETIC RECESS MEMBERS



HOLDING ROD



1/2" x 6" Long Coil Thread



2 x 1/2" Coil Nuts Cast In Recess Member for Bolting to Form

