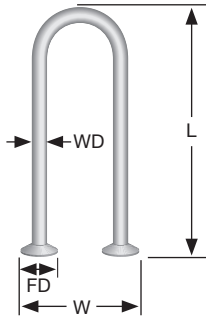


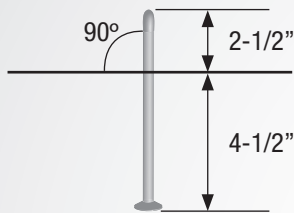
Patterson 3/8" x 7" R-ANCHOR



3/8" x 7" R-ANCHOR DIMENSIONS AND MECHANICAL PROPERTIES

Product Code	WD Wire Diameter	L Length	W Width	FD Foot Diameter	Ultimate Mechanical Tensile Capacity (lbs)
LRA387G	3/8"	7"	3-1/4"	1"	18,760

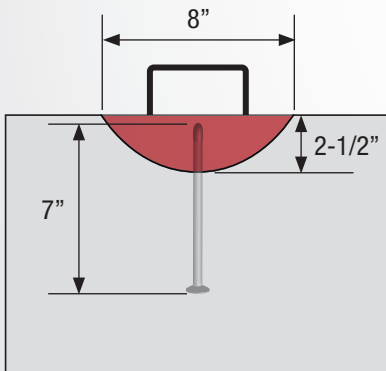
WET SET IN CONCRETE



ALLOWABLE LOAD ZONE

Safe Working Load 1,500 PSI Concrete 4:1 SWL (lbs)	Safe Working Load 1,500 PSI Concrete 4:1 SWL (lbs)
3,455	4,115

RECESSED



ALLOWABLE LOAD ZONE

Safe Working Load 1,000 PSI Concrete 4:1 SWL (lbs)
4,690

BUY ONLINE!

www.patterson-online.com

(800) 332-7090



PATERSON
Your Single Source Supplier