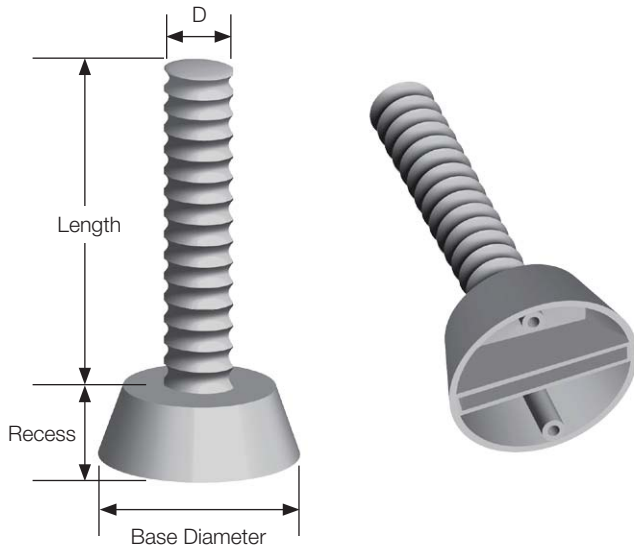


CP-25: PLASTIC COIL THREAD PROTECTOR

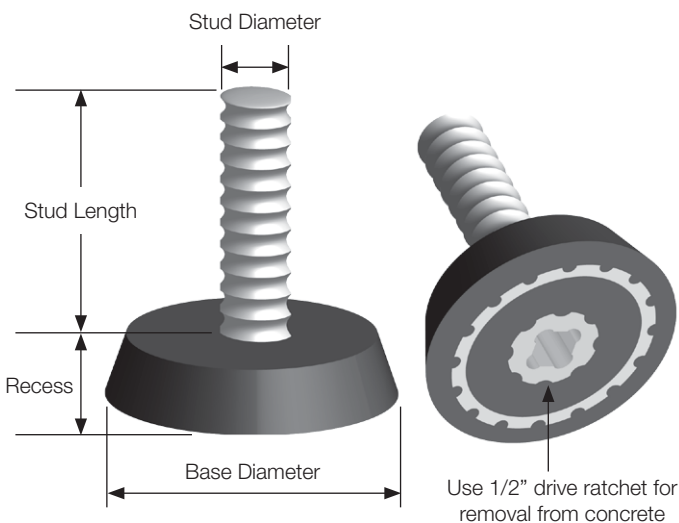


Effective and reusable setting plugs can be nailed to the form to thread the coil insert and may also serve as a temporary cap in preparation for another pour. Available in 1/2", 3/4" and 1" diameters. The Coil Setting Plug will recess the Coil Insert 3/4" from the concrete surface.

PLASTIC COIL THREAD PROTECTOR DIMENSIONS

Part Number	Diameter D	Length	Base Diameter	Recess
CP2512	1/2"	2-3/4"	1-1/4"	3/4"
CP2534	3/4"	3"	2-1/8"	3/4"
CP2501	1"	4-3/4"	2-1/8"	3/4"

MAGNETIC COIL THREAD PROTECTOR



Magnetic Coil locators are used to mount coil threaded inserts to a steel form instead of drilling holes. The magnetic base is 2-5/8" wide and recesses the coil insert by 1/2". Magnet is removed from the concrete using a 1/2" drive ratchet. Available in 1/2", 3/4", 1", 1-1/4", and 1-1/2" coil thread diameters.

MAGNETIC COIL THREAD PROTECTOR DIMENSIONS

Part Number	Stud Diameter	Stud Length	Base Diameter	Recess
TKCMB500	1/2"	2-1/4"	2-5/8"	1/2"
TKCMB750	3/4"	2-1/2"		
TKCMB1000	1"	2-3/4"		
TKCMB1250	1-1/4"	2-3/4"		
TKCMB1500	1-1/2"	3-1/4"		