



PATTERSON
Your Single Source Supplier

Associate Member of



Box Culvert Connection

*Simple & Efficient Solution
for Connecting Box Culverts*

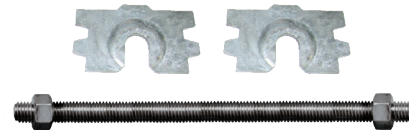
**Call for more information!
(800) 332-7090**



- Reusable former lasts over 50 pours •
- Utilizes a galvanized steel plate to eliminate spalling of concrete •



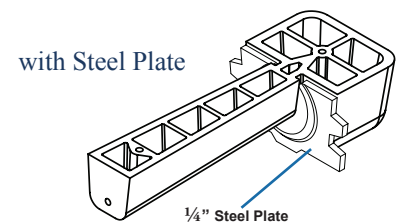
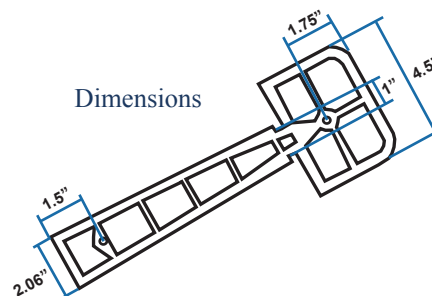
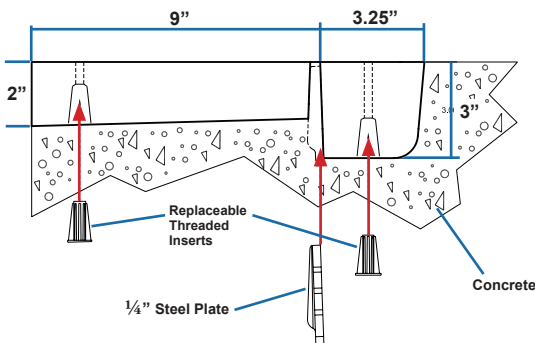
Bolt Pocket Formers create
the void for the bolt



Steel Plates and Coil Bolt remain
with the culvert after installation

“One Stop” • Representative • Manufacturer • Distributor

General Specifications of the Bolt Pocket Former



“Supplying the Precast & Prestressed Concrete Industry since 1972”



PATTERSON
Your Single Source Supplier

“One Stop”
Manufacturer • Representative • Distributor

Spirals
Vibration Equipment
Lifting & Handling Systems
Post-Tension Strand
Magnetic Solutions
Hand Tools
Bearing Pads & Shims
Manufacturing Equipment
Voids/Void Drains
Wire Ties
Precast Connections
Concrete Repair Materials
Bar/Mesh Wheel & Chair Supports

Chamfer
Form Release
Ferrule Threaded Inserts
Prestressed Strand
Non-Shrink Grouts
Form Liners
Stressing Equipment
Curing Systems/Covers
Insulating Systems
Steel Forms
Coil Threaded Inserts
Thin Brick & Thin Block
Prefabricated Rebar Cages

And More...

Experienced • Reliable • Competitive

(800) 332-7090
www.patterson-online.com