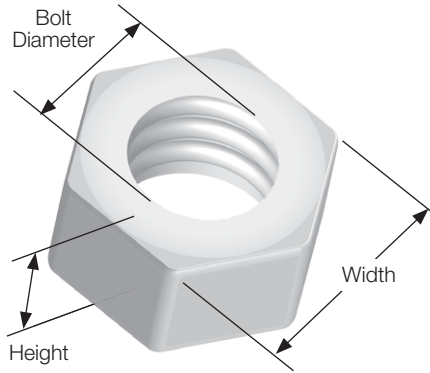


CN-13: STANDARD COIL NUT



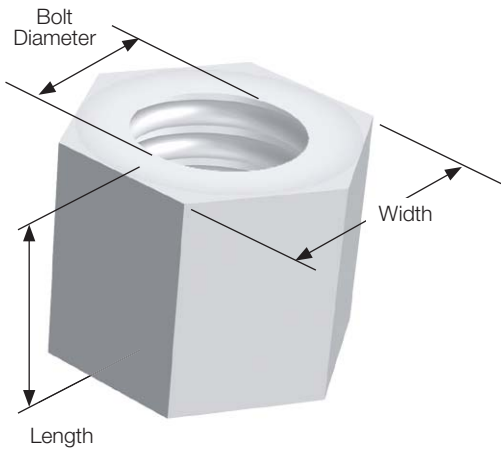
Manufactured from hex stock, Standard Coil Nuts are furnished in 1/2", 3/4", 1", 1-1/4" and 1-1/2" diameters.

STANDARD COIL NUT DIMENSIONS AND LOAD CHART

Part Number	Bolt Diameter	Height	Width Across Flats	Finish	Ultimate Mechanical Capacity (lbs)	5:1 Safe Working Load	
						Tension (lbs)	
						Using (1) CNB13 Nut	Using (2) CNB13 Nuts
CN1312	1/2"	1/2"	7/8"	Plain	9,000	1,800	3,600
CN1334114	3/4"	5/8"	1-1/4"	Plain	18,000	3,600	7,200
CN1301	1"	1"	1-5/8"	Plain	36,000	7,200	15,000
CN13114	1-1/4"	1-1/4"	2"	Plain	54,000	10,800	22,500
CN13112	1-1/2"	1-1/2"	2-3/8"	Plain	81,000	16,200	27,000

To achieve the published safe working loads when using the Standard Coil Nuts on Coil Bolts or Coil Rods, two (2) Standard Coil Nuts tightly locked together are required.

CN-25: HEAVY DUTY COIL NUT



Manufactured from hex stock, Heavy Duty Coil Nuts are furnished in 1/2", 3/4" and 1" diameters.

HEAVY DUTY COIL NUT DIMENSIONS AND LOAD CHART

Part Number	Bolt Diameter	Length	Width Across Flats	Finish	Ultimate Mechanical Capacity (lbs)	5:1 Safe Working Load
						Tension (lbs)
CN2512	1/2"	1-3/16"	1-1/8"	Plain	18,000	3,600
CN2534	3/4"	1-3/16"	1-1/8"	Plain	36,000	7,200
CN251	1"	2"	1-3/8"	Plain	75,000	15,000