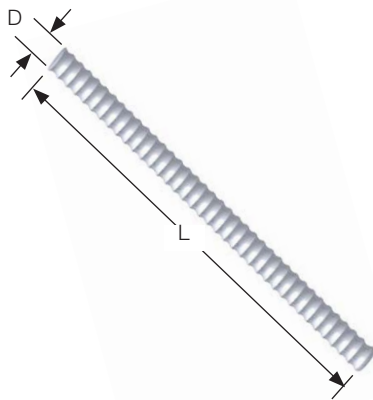


CR-12: COIL ROD - HIGH TENSILE



The Coil Rod is stocked in high-tensile strength in 12 ft standard lengths, in 1/2", 3/4", 1", 1-1/4" and 1-1/2" diameters. Also available in any length on special order (up to 20 ft max).

COIL ROD DIMENSIONS AND LOAD CHART

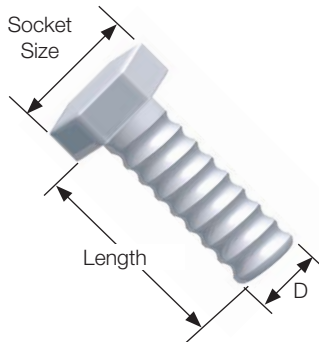
Part Number	Diameter D	Length	Standard Finish	Ultimate Mechanical Tension Load (lbs)	5:1 Safe Working Load	
					Tension (lbs)	Shear (lbs)
CR1212	1/2"	144" (12 ft.)	Plain	18,000	3,600	2,400
CR1234	3/4"	144" (12 ft.)	Plain	36,000	7,200	4,800
CR1201	1"	144" (12 ft.)	Plain	75,000	15,000	10,000
CR12114	1-1/4"	144" (12 ft.)	Plain	120,000	24,000	16,000
CR12112	1-1/2"	144" (12 ft.)	Plain	140,000	28,000	18,000

Safe Working Load is based on a 5:1 safety factor for lifting applications.

*Coil rod requires 2 coil nuts or 1 H.D. coil nut on each end to develop safe working loads.

CB-14: COIL BOLT

Manufactured with a fast-threading, self-cleaning coil thread, Coil Bolts may be furnished with an integral forged head or welded with a hex nut. Available in 1/2" and 3/4" diameters



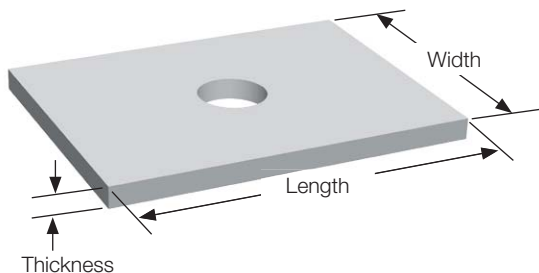
COIL BOLT DIMENSIONS AND LOAD CHART

Part Number	Diameter D	Length	Socket Size	Standard Finish	5:1 Safe Working Load	
					Tension (lbs)	Shear (lbs)
CB1412112	1/2"	1-1/2"	3/4"	Plain	1,650	1,100
CB14122	1/2"	2"	3/4"	Plain	1,650	1,100
CB1412212	1/2"	2-1/2"	3/4"	Plain	1,650	1,100
CB14123	1/2"	3"	3/4"	Plain	1,650	1,100
CB1412312	1/2"	3-1/2"	3/4"	Plain	1,650	1,100
CB14124	1/2"	4"	3/4"	Plain	1,650	1,100
CB14342	3/4"	2"	1-1/8"	Plain	3,600	2,400
CB14343	3/4"	3"	1-1/8"	Plain	3,600	2,400
CB14344	3/4"	4"	1-1/8"	Plain	3,600	2,400
CB14346	3/4"	6"	1-1/8"	Plain	3,600	2,400

All data is based on a 5:1 safety factor for lifting applications

FW-11: FLAT WASHER

Flat Washers are manufactured from high carbon flat steel plates and are designed to provide the required bearing against the form members.



FLAT WASHER DIMENSIONS AND LOAD CHART

Part Number	Thickness	Width	Length	Bolt Diameter	Standard Finish	5:1 Safe Working Load
						Tension (lbs)
FW111434B12	1/4"	3"	4"	1/2"	Plain	2,250
FW111445B34	1/4"	4"	5"	3/4"	Plain	3,375

All data is based on a 5:1 safety factor for lifting applications