

For Precast  
& Tilt-up  
Construction

## SNAP SINGLE CHAMFER (1/2" & 3/4" x 45°)

### **SAVE MONEY on your next project with VICTORY BEAR!**

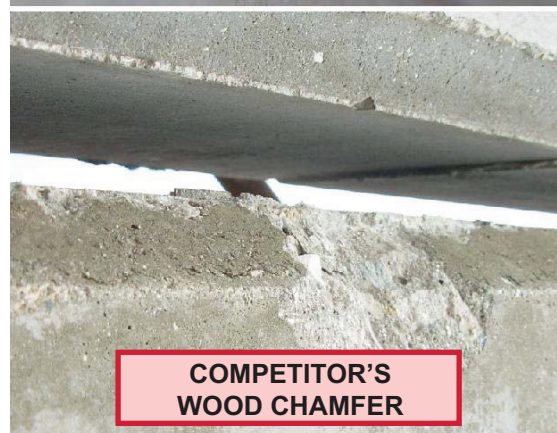
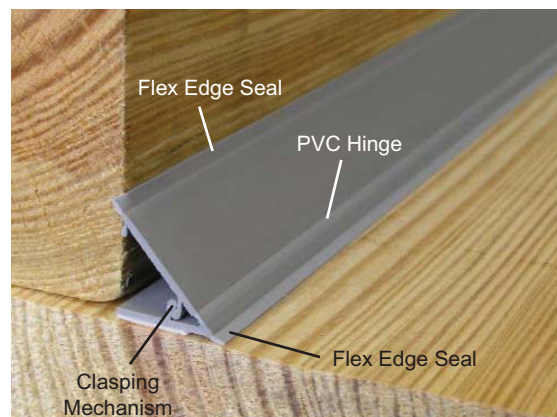
Victory Bear is an innovative concrete product supplier with deep roots in the tilt-up, precast, and cast-in-place industries. We offer the most complete line of precast and tilt-up profiles in the industry.

Our rustications and chamfers produce the cleanest and sharpest finishes in the industry. Victory Bear is a leader in innovative concrete designs – creating products, for now and for the future, that will provide the tilt-up and precast industry with unique options. Our products provide flexibility to designers and allow for a variety of design configurations in a variety of building types.

### Features & Benefits

Victory Bear's Snap Single Chamfer combines two Flex Edge Seals with a hinged clasping mechanism, giving you an unbeatable chamfer!

- **New Improved Design!** – Victory Bear's Snap Single Chamfer has been designed with rigid and flexible PVC for superior performance and value! The rigid PVC creates a superior finish, while the flexible PVC creates a tight seal against the form board and casting surface, **eliminating the need for caulking in precast applications!**
- **100% PVC Reduces Costs** – PVC virtually eliminates concrete pitting caused by wood-wicking. It also eliminates discoloration caused by wood sugars. It almost entirely eliminates the need for grinding and patching, **saving you man-hours and subcontractor expenses.**
- **Patented "Flex Edge Seal"** Our patented Flex Edge Seal fits tightly against the casting surface, preventing concrete seepage while creating sharp, crisp lines.
- **Available with Adhesive Tape** Simply remove the tape's backing and press into place.



**Victory Bear vs. Wood**—as seen in the comparison above, Victory Bear chamfer's PVC surface and Flex Edge Seal virtually eliminate the need for costly finishing work.



**A.L. Patterson, Inc.**  
300 Ben Fairless Drive  
Fairless Hills, PA 19030  
Ph: (800) 332-7090 / (215) 736-2030  
Fx: (215) 736-2652

[www.Patterson-Online.com](http://www.Patterson-Online.com)  
[sales@alpatterson.com](mailto:sales@alpatterson.com)

For Precast  
& Tilt-up  
Construction

## SNAP SINGLE CHAMFER (1/2" & 3/4" x 45°)

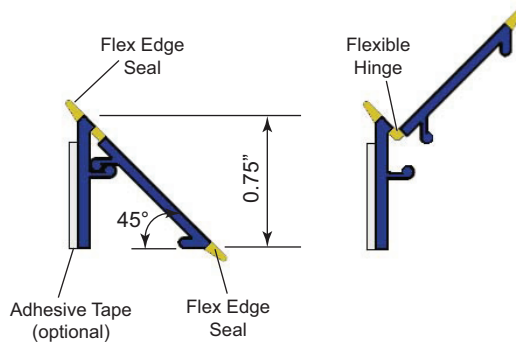
### Installation

- **Step 1** – Open the Snap Chamfer. If using the optional tape, peel backing. If not using the tape, an adhesive or fasteners may be used.
- **Step 2** – Press the chamfer firmly into place. The tape side may be applied to the casting surface or to the forming board using the taped leg as a guide.
- **Step 3** – Check to ensure that the Flex Edge Seal is pressed firmly against the casting surface and the form board. Close the chamfer.

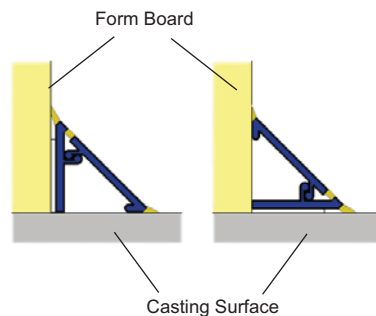
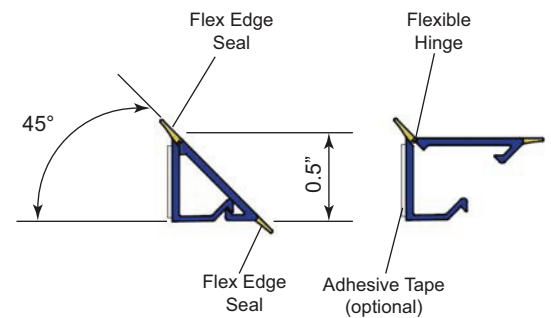


### Available Sizes

#### Snap Single Chamfer 3/4"



#### Snap Single Chamfer 1/2"



The Snap Single Chamfer can be positioned with the tape against either the form board or the casting surface, depending on the installer's preference.

### Specifications

**Length:** 8 ft.

**Coefficient of Linear Expansion:**  
0.0132 inches per degree F

**Storage:** If re-using, remove all concrete residue from the plastic to prevent sticking on future pours. Materials should be stored out of direct sunlight to prevent long-term deterioration or color fading. Pieces can be stacked, but should be stored fully supported to keep them from warping.



**PATTERSON**  
Your Single Source Supplier

**A.L. Patterson, Inc.**  
300 Ben Fairless Drive  
Fairless Hills, PA 19030  
Ph: (800) 332-7090 / (215) 736-2030  
Fx: (215) 736-2652

www.Patterson-Online.com  
sales@alpatterson.com